

rooms

EXCLUSIVE FLOORING

Our new and exciting **rooms** collection consists of 30 exclusive decors offering the whole spectrum of professional laminate flooring from the old 3 strip favourite to the highly refined rustic oak.

Environmental protection	4
Product range	6
Surfaces	52
Technical information	54
Skirtings and accessories	55

12 mm^v
penthouse

Down-to-earth luxury. 8

10 mm^v
loft

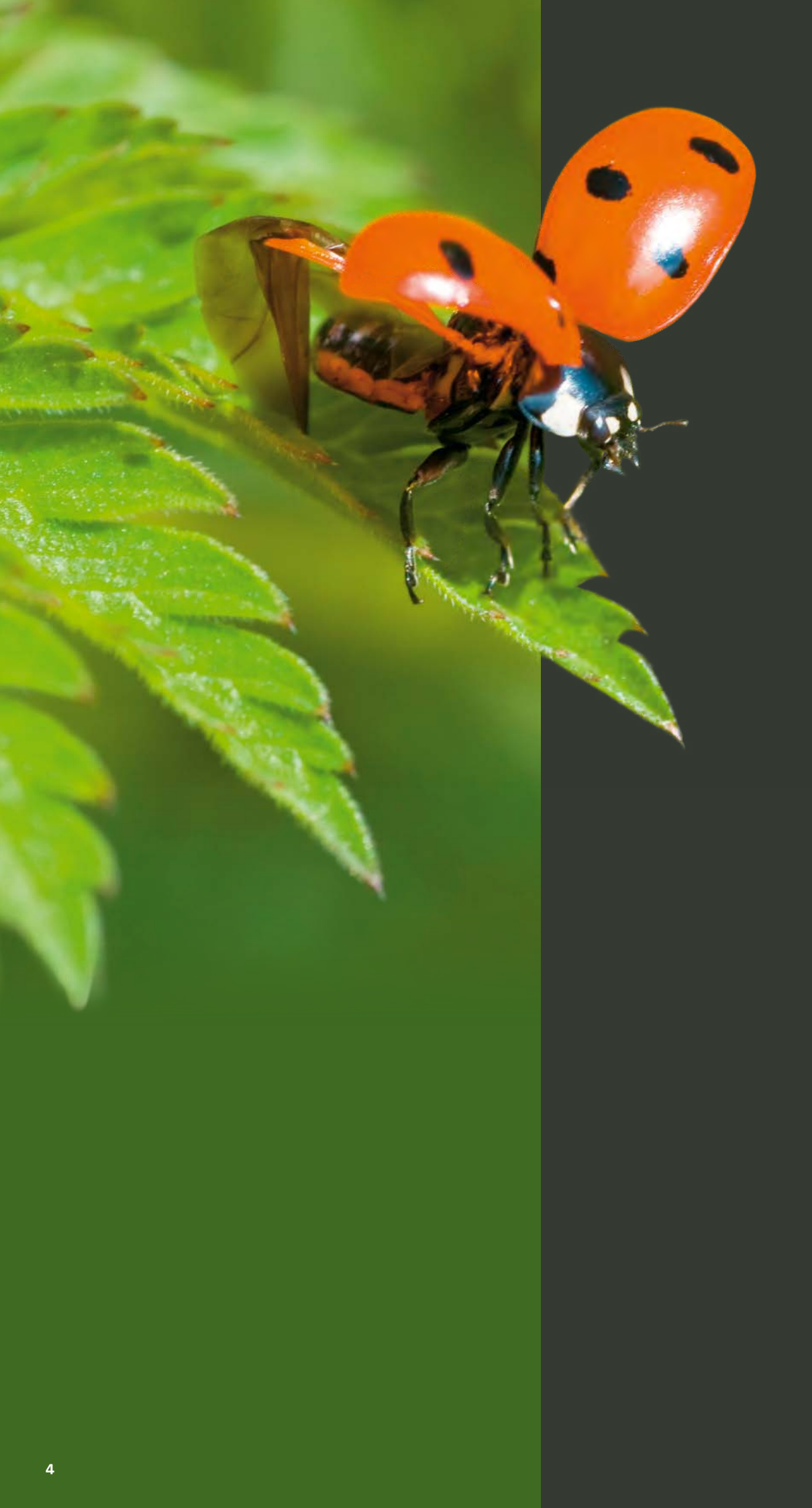
Creative ambience 20

8 mm^v
suite

Harmonious combinations 30

8 mm
studio

Classic elegance 38



environmental protection from the very start

We provide you with complete transparency in order to compare us fairly with other manufacturers. Through the Environmental Product Declaration (EPD) we are disclosing fully and voluntarily the ecological tally of our wooden products. The EPD is allocated by the 'Institut Bauen und Umwelt' (institute for building and the environment) and is recognised worldwide as an ecolabel according to ISO standard 14025. The focus of our environmental management is ecological efficiency. Each product leaving our factory has to be not only excellent value for money but also has to be ecologically sound during the whole of its life cycle. This ranges from using certified raw materials coming from sustainable forestry, to our strictly controlled production processes, and the long product life all the way to its environmentally friendly disposal. In order to achieve solid improvements in all our operations, we provide continuous information and seminars to strengthen the ecological awareness of all our employees.



Institut Bauen
und Umwelt e.V.



12 mm^v penthouse

EXTRA LONG BOARDS

V-GROOVE

ANTISTATIC

NATURALLY SOUND ABSORBING

BOARD 1845 x 188 x 12 mm
BOX 4 boards = 1.387 m²
PALLET 56 boxes = 77.697 m²



33 / AC 5

GUARANTEE

30 years in domestic settings
5 years in commercial settings

loft 10 mm^v

V-GROOVE

REAL WOOD SURFACE STRUCTURE

NATURALLY SOUND ABSORBING

BOARD 1380 x 193 x 10 mm
BOX 6 boards = 1.598 m²
PALLET 56 boxes = 89.490 m²



33 / AC 5

GUARANTEE

30 years in domestic settings
5 years in commercial settings

suite^{8 mm^v}

V-GROOVE

REAL WOOD SURFACE STRUCTURE

BOARD 1380 x 193 x 8 mm
BOX 8 boards = 2.131 m²
PALLET 56 boxes = 119.32 m²



32 / AC 4

GUARANTEE

25 years in domestic settings
3 years in commercial settings

studio^{8 mm}

BOARD 1380 x 193 x 8 mm
BOX 8 boards = 2.131 m²
PALLET 56 boxes = 119.32 m²



32 / AC 4

GUARANTEE

25 years in domestic settings
3 years in commercial settings





12 mm^v **penthouse**

Generosity, depth of space, wide horizons – **penthouse** is ideal both for the floor of a luxurious home or for commercial applications of the highest demands – be it a hotel lobby or a conference room. The 1845 mm long boards enhance the experience of any room. The 12 mm thickness offers an exceptional noise reduction, outstanding durability and ease of installation.

rooms
EXCLUSIVE FLOORING

penthouse^{12 mm^v}

Hard to distinguish even for a professional:

Our NR structure (Naturally Real), for example, achieves its striking likeness to real wood through its precise bonding of grain and textured surface layers.

BOARD 1845 x 188 x 12 mm

BOX 4 boards = 1.387 m²

PALLET 56 boxes = 77.697 m²

GUARANTEE 30 years in domestic settings
5 years in commercial settings

Guarantee subject to manufacturer's conditions.

The printed images show true representations of the named decors.



WHITE OAK

1-Strip · V-groove · real wood chrome optic (CR)

penthouse

Decor R 1201



BROWN OAK

1-Strip · V-groove · real wood chrome optic (CR)

penthouse

Decor R 1202



DARK OAK

1-Strip · V-groove · real wood chrome optic (CR)

penthouse

Decor R 1203



ANTHRACITE OAK

1-Strip · V-groove · real wood chrome optic (CR)

penthouse

Decor R 1204



NATURE OAK

1-Strip · V-groove · real wood chrome optic (CR)

penthouse

Decor R 1205



DARK BROWN OAK

1-Strip · V-groove · natural real-wood optic (NR)

penthouse

Decor R 1206



BEIGE OAK

1-Strip · V-groove · natural real-wood optic (NR)

penthouse

Decor R 1208



BRONZE OAK

1-Strip · V-groove · natural real-wood optic (NR)

penthouse

Decor R 1207







loft^{10 mm^v}

loft combines a creative atmosphere and robust aesthetic with a high degree of practicality.

This collection's strengths are displayed to their best not just in business premises, shops and restaurants, but also in the modern work-at-home lifestyles of young people.

We guarantee both the high quality of the 10 mm thick panels as well as their durability under all kinds of uses.

rooms
EXCLUSIVE FLOORING

loft^{10 mm^v}

As a conscious contrast to often cool surroundings our **loft** range provides warm, natural tones. The PW (Perfect Wood) finish with its finely structured surface compliments the silky, matt ambience of the decor.

BOARD	1380 x 193 x 10 mm
BOX	6 boards = 1.598 m ²
PALLET	56 boxes = 89.490 m ²
GUARANTEE	30 years in domestic settings 5 years in commercial settings

Guarantee subject to manufacturer's conditions.

The printed images show true representations of the named decors.



DARK OAK

1-Strip · V-groove · real wood chrome optic (CR)

loft

Decor R 1001



LIGHT OAK

1-Strip · V-groove · real wood chrome optic (CR)

loft

Decor R 1002



GREY OAK

1-Strip · V-groove · fine silky matt finish (PW)

loft

Decor R 1003



WHITE OAK

1-Strip · V-groove · real wood chrome optic (CR)

loft

Decor R 1004



NATURE OAK

1-Strip · V-groove · fine silky matt finish (PW)

loft

Decor R 1005



RUSTIC OAK

1-Strip · V-groove · brushed gloss structure (BW)

loft

Decor R 1006







suite^{8 mm^v}

suite's complementary finishes allow large areas to be visually divided, highlighting the differing uses of living and working space. The harmonious range of tones and surfaces work together with a room's architecture to create a mixture of places with a coordinated atmosphere which is easy to personalise with furniture or other splashes of colour.

rooms
EXCLUSIVE FLOORING

suite^{8 mm^v}

All round V-grooves create a characteristic board impression for the **suite** range.

The linear grain structure of this collection's finish, for example in BW (Brushed Wood), give a striking brushed wooden optic.

BOARD 1380 x 193 x 8 mm

BOX 8 boards = 2.131 m²

PALLET 56 boxes = 119.32 m²

GUARANTEE 25 years in domestic settings
3 years in commercial settings

Guarantee subject to manufacturer's conditions.

The printed images show true representations of the named decors.



LIMED OAK

1-Strip · V-groove · brushed gloss structure (BW)

suite
Decor RV 801



GREY OAK

1-Strip · V-groove · brushed gloss structure (BW)

suite
Decor RV 802



BEIGE OAK

1-Strip · V-groove · brushed gloss structure (BW)

suite
Decor RV 803



WALNUT

1-Strip · V-groove · matt, like real oiled wood (SO)

suite

Decor RV 804



LARCH

1-Strip · V-groove · brushed gloss structure (BW)

suite
Decor RV 805





studio^{8 mm}

Studio gracefully lends itself to uses all over: it is equally suited to a functional kitchens as children's rooms; to studies as well as stylish living areas.

studio meets the demands of almost every space.

rooms
EXCLUSIVE FLOORING

studio^{8 mm}

Classically elegant decors and carefully selected surface finishes make this collection the very best. Those who get the taste for exclusive, professionally-laid laminate, will never want anything else.

BOARD 1380 x 193 x 8 mm

BOX 8 boards = 2.131 m²

PALLET 56 boxes = 119.32 m²

GUARANTEE 25 years in domestic settings
3 years in commercial settings

Guarantee subject to manufacturer's conditions.

The printed images show true representations of the named decors.



ASH

2-Strip · brushed gloss structure (BW)

studio

Decor R 0801



WALNUT

2-Strip · brushed grain structure (MW)

studio

Decor R 0802



BEECH

3-Strip · brushed grain structure (MW)

studio

Decor R 0803

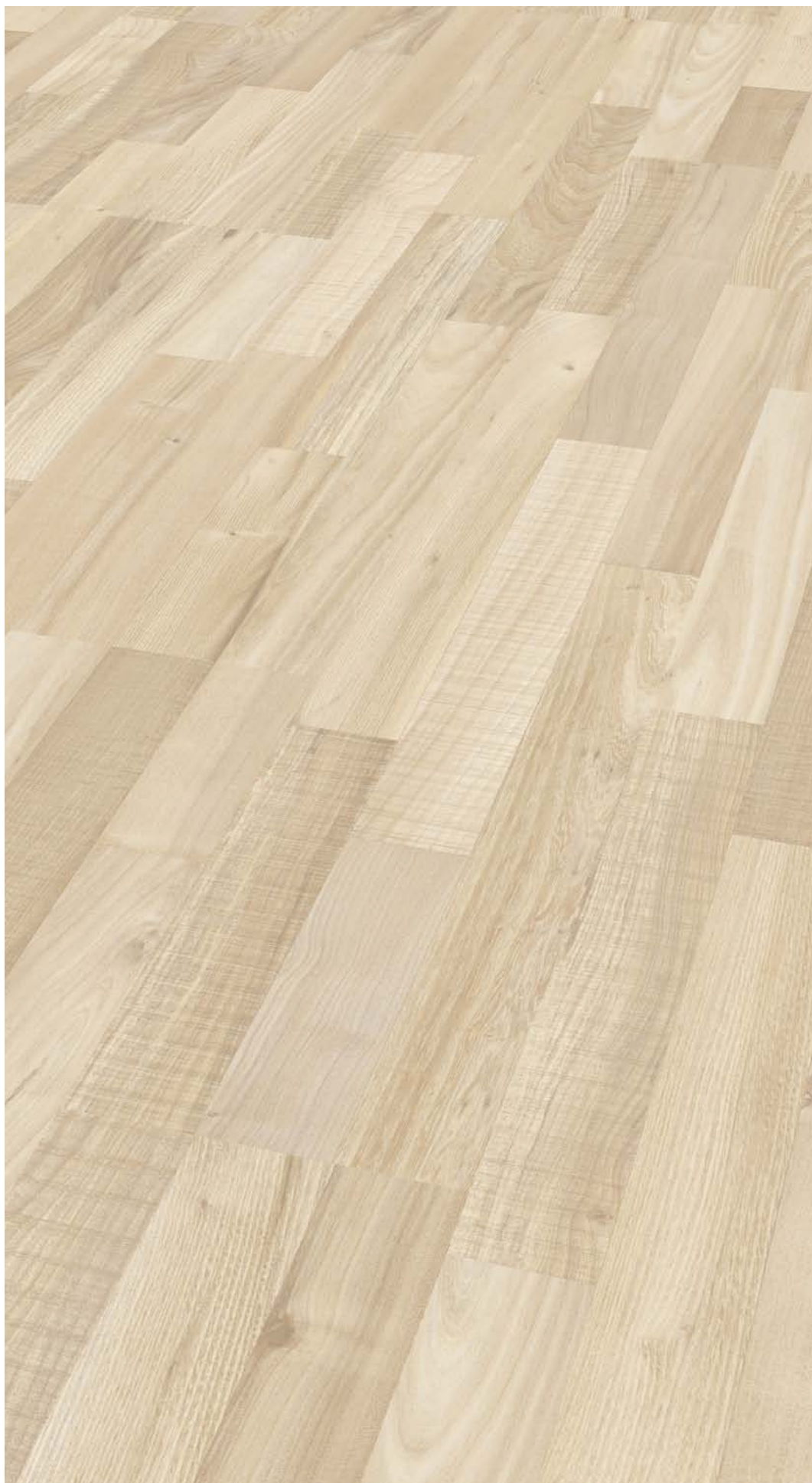


MAPLE

3-Strip · wood pore structure (WP)

studio

Decor R 0804



NATURE ELM

3-Strip · brushed gloss structure (BW)

studio

Decor R 0805



ELM

3-Strip · brushed gloss structure (BW)

studio

Decor R 0806



LIMED OAK LIGHT

3-Strip · brushed gloss structure (BW)

studio

Decor R 0807



LIMED OAK BROWN

3-Strip · brushed gloss structure (BW)

studio

Decor R 0808



WHITE PEAR

2-Strip · slightly oiled finish (SO)

studio

Decor R 0809



MULTI-STRIP OAK

Multi-Strip · brushed gloss structure (BW)

studio

Decor R 0810



NATURE OAK

3-Strip · brushed gloss structure (BW)

studio

Decor R 0811

surfaces



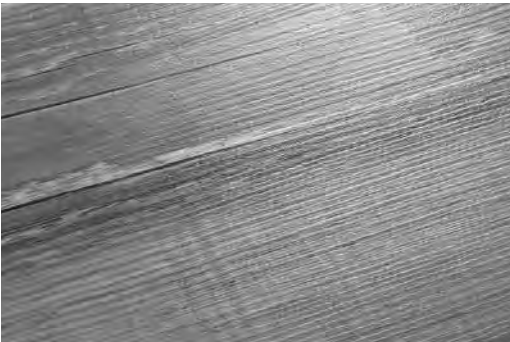
CR

real wood chrome optic,
tangible structure



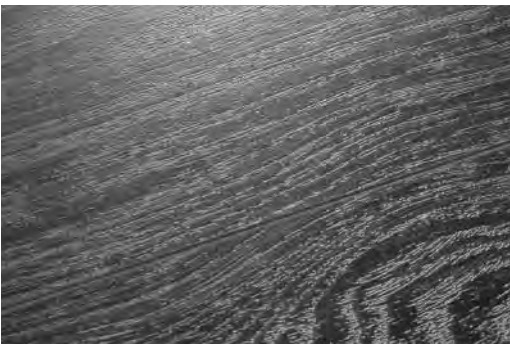
SO

appearance of real oiled wood,
matt finish with pore effect



MW

brushed grain structure



PW

finely structured grain
with a silk matt ambience



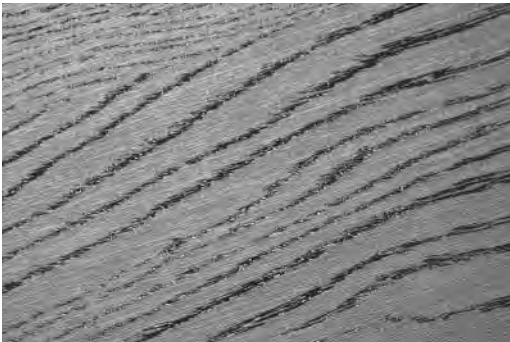
BW

a brushed structure with differing gloss levels



WP

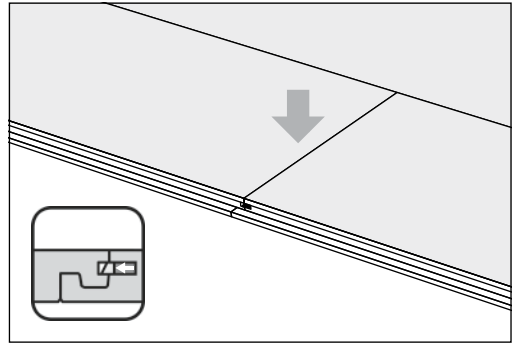
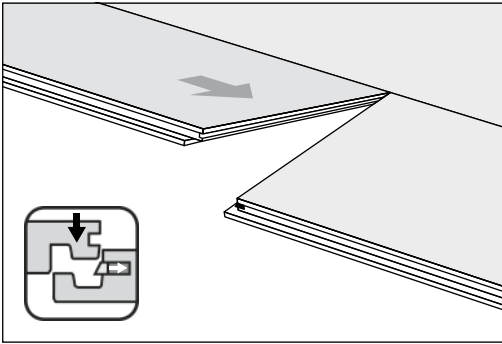
a wood pore effect for classically elegant decors



NR

100% real wood optic, combined with the perfection of laminate

putting fun into floor installation



rooms-products can be installed quickly, safely and are durable. Boards are angled in on the long sides, and easily pushed down on the short. Forget hammers, tapping blocks and pulling bars! An inbuilt plastic strip connects individual boards to the next with high precision. With only a few simple actions you will obtain a professional result in minutes a short time.

Production and product control follow the standards of DIN EN 13329.
Technical data is subject to change without notice.



skirtings



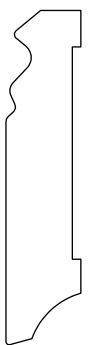
RF, MDF, WHITE
chamfered, suitable for painting
or varnishing
18 x 80 x 2400 mm

1 box = 10 pieces
1 pallet = 20 boxes



RP, MDF, WHITE
sculpted, suitable for painting
or varnishing
18 x 80 x 2400 mm

1 box = 10 pieces
1 pallet = 20 boxes

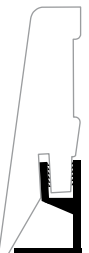


R 1, MDF
suits all decors and in
white (paintable),
for use with mounting system
19 x 58 x 2400 mm

1 box = 10 pieces
1 pallet = 56 boxes



MOUNTING SYSTEM
for quick and easy installation
of R 1 skirtings





rooms-floor.com

made in germany